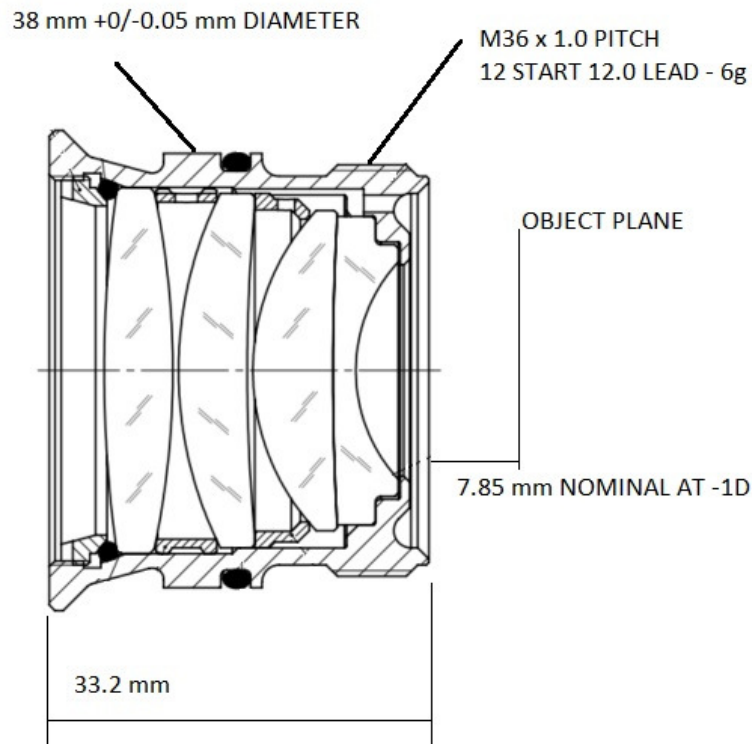


**B1834-SA-002, Long Eye Relief Eyepiece for SVGA
AMOLED microdisplay
Data Sheet**

Description

Beck Optronic Solutions offers a lightweight but rugged long eye relief eyepiece, suitable for use in monocular or binocular systems. The module is well suited for weapon sights, thermal imagers, etc.



Specification

Operating waveband	450 nm to 650 nm
Object format and size	800 x 600 x 15 μ m, 12 mm x 9 mm
Field of view	30° +0.5/-0° on diagonal, 24° +0.5/-0° on width
Focal length (for reference only)	29 mm
Eye relief	≥50 mm
Eye box (at 50 mm eye relief)	≥8 mm
Transmission	≥90 % average over 450 nm to 650 nm
Image uniformity (vignetting)	≥60 % (for a centred pupil)
Distortion	≤5 %
Resolution	≥50 cy/mm
Dioptre adjustment	≥+2D to -6D
Mass	78.5 g
Size	42 mm diameter, 33.2 mm long
Operating temperature range	-45°C to +55°C
Storage temperature range	-51°C to +65°C
Water resistance	IP67 (at eye end)

About Beck Optronic Solutions

Beck has a reputation for excellence in design and manufacture of precision optics that can be traced back over 175 years. Based near London, UK, Beck delivers complex, integrated electro-optic systems for defence and commercial use across the electromagnetic spectrum from UV to LWIR. **For pricing or further information please contact us at:**

t: +44 (0) 1442 255755 | **e:** info@beckoptronic.com | **w:** beckoptronic.com

Beck Optronic Solutions Limited | Registered in England No 09072729 | VAT No GB 196 4396 58
Registered office: Focus 31 – West Wing, Mark Road, Hemel Hempstead, Hertfordshire HP2 7BW United Kingdom