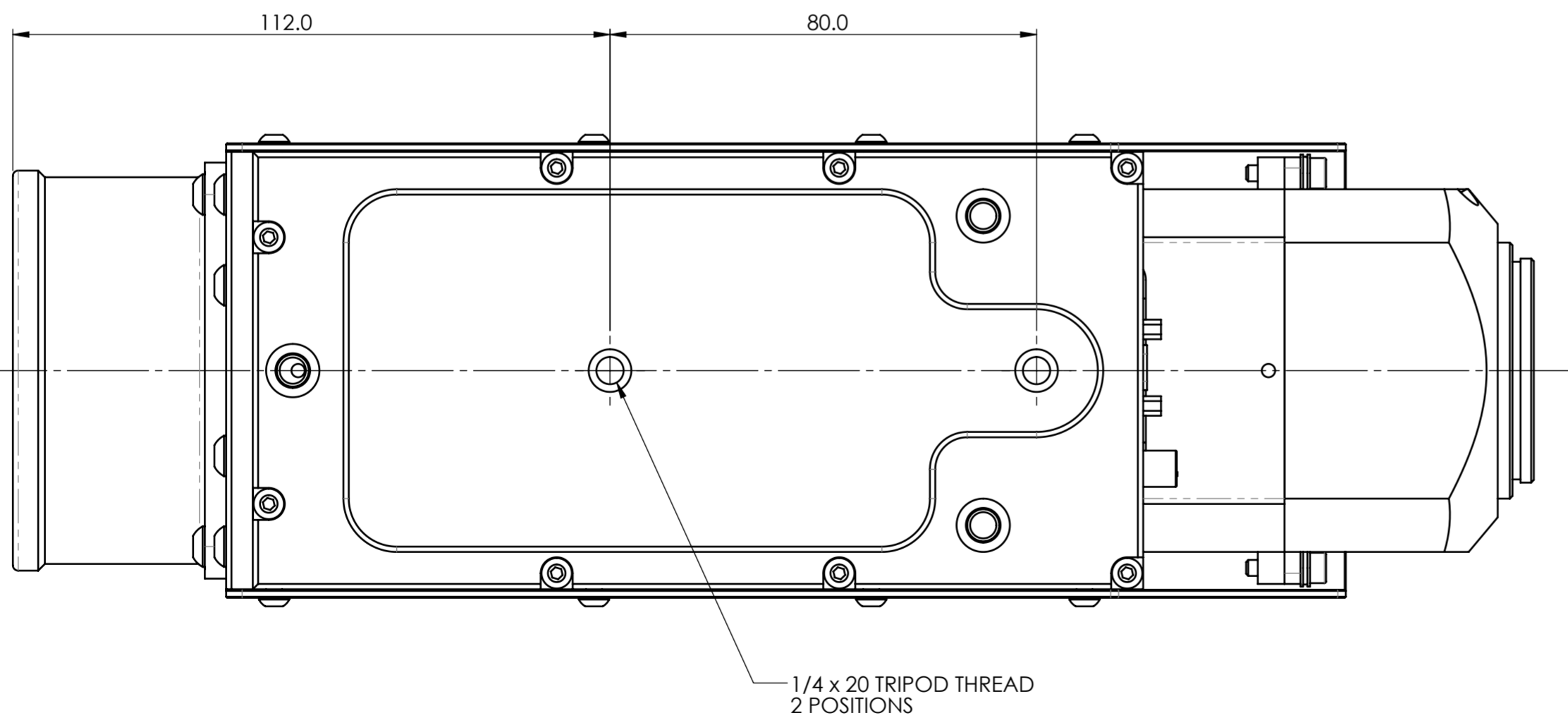
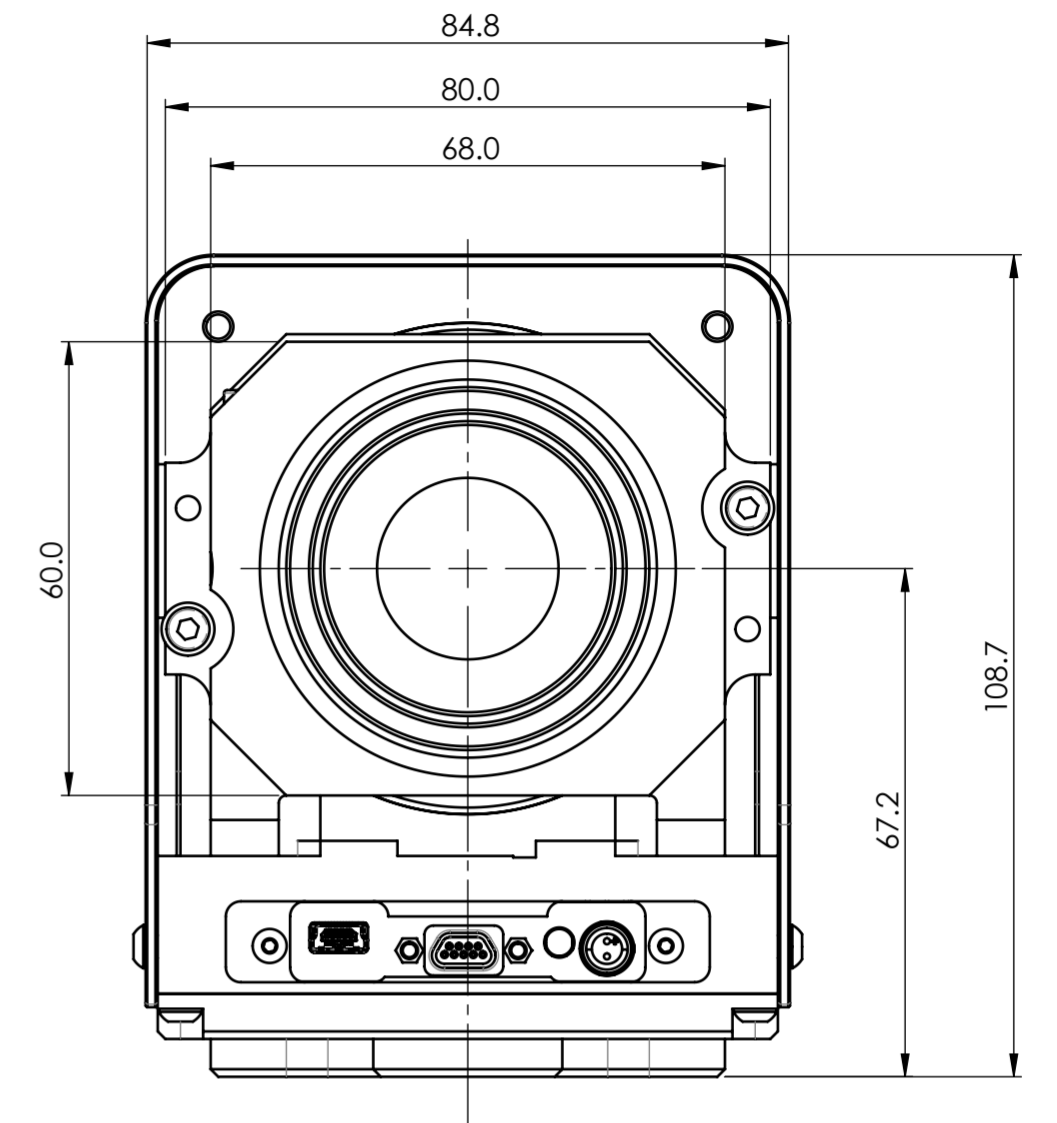
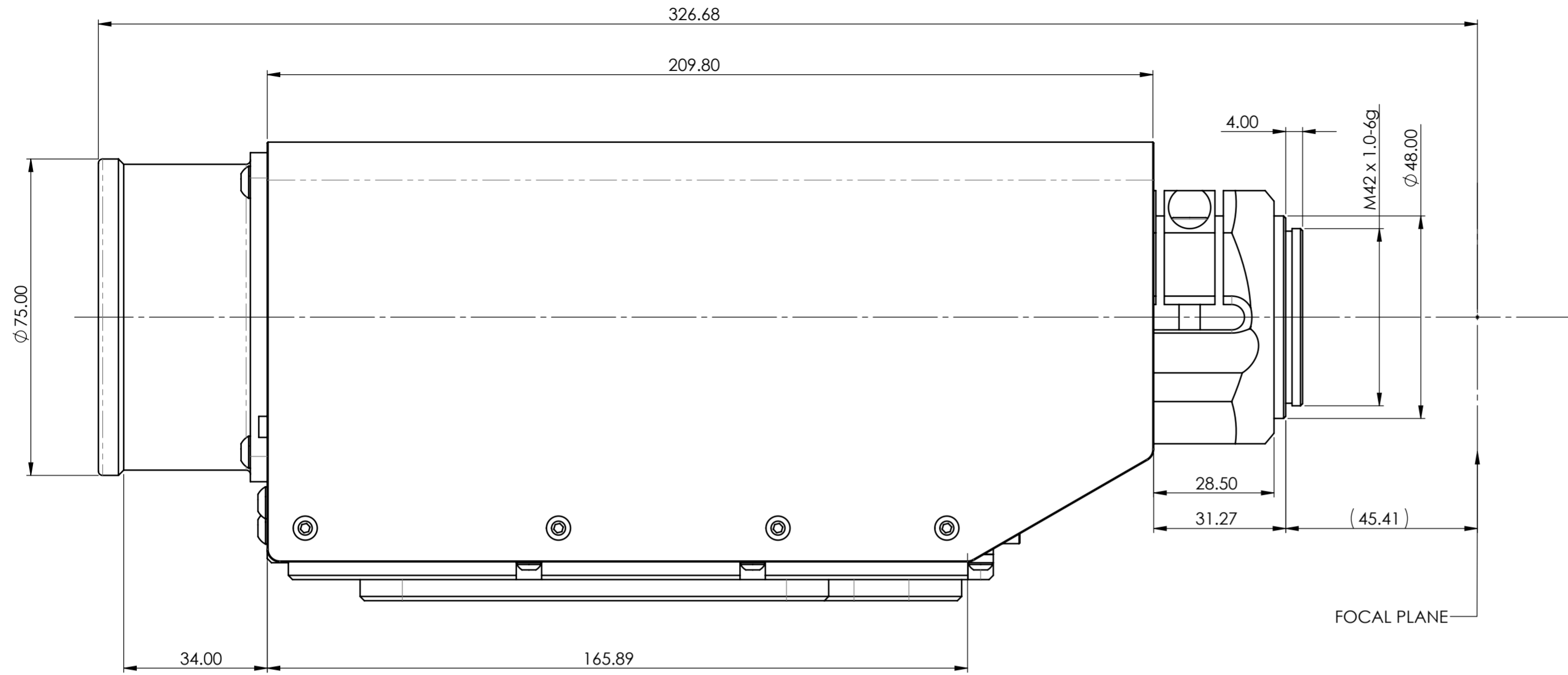


DO NOT SCALE DRAWING



Beck Optronic Solutions  
**RELEASED FOR PRODUCTION**  
 23 April 2021

CN7265	23/04/2021	2
DRAWN	29/01/2020	1
REF.	DATE	REV

TOLERANCES:  
 UNLESS OTHERWISE SPECIFIED:  
 LINEAR:- 0 ±0.5  
 0.0 ±0.3  
 0.00 ±0.1  
 ANGULAR:- 0° ±2° 0.0° ±0.25°

MATERIAL:

THIRD ANGLE PROJECTION

DEBURR AND BREAK SHARP EDGES  
 UNLESS OTHERWISE SPECIFIED

FINISH:

**BOS Beck Optronic Solutions**

THESE DRAWINGS MAY NOT BE USED FOR ANY PURPOSE OUTSIDE THOSE EXPRESSLY AGREED WITH BECK OPTRONIC SOLUTIONS LTD. ©BECK OPTRONIC SOLUTIONS, 2015. ALL RIGHT RESERVED.

TITLE: **SWIR ZOOM LENS 53-530mm**

DWG NO. **D1810-ID-04** **A2**

SCALE: 1:1

	NAME	SIGNATURE	DATE	USED ON	-
DRAWN	JRB		29/01/2020	WEIGHT:	1108.66
CHK'D	-		-		
APP'VD	-		-		

**CONFIDENTIAL**

DIMENSIONS IN mm SHEET 1 OF 1