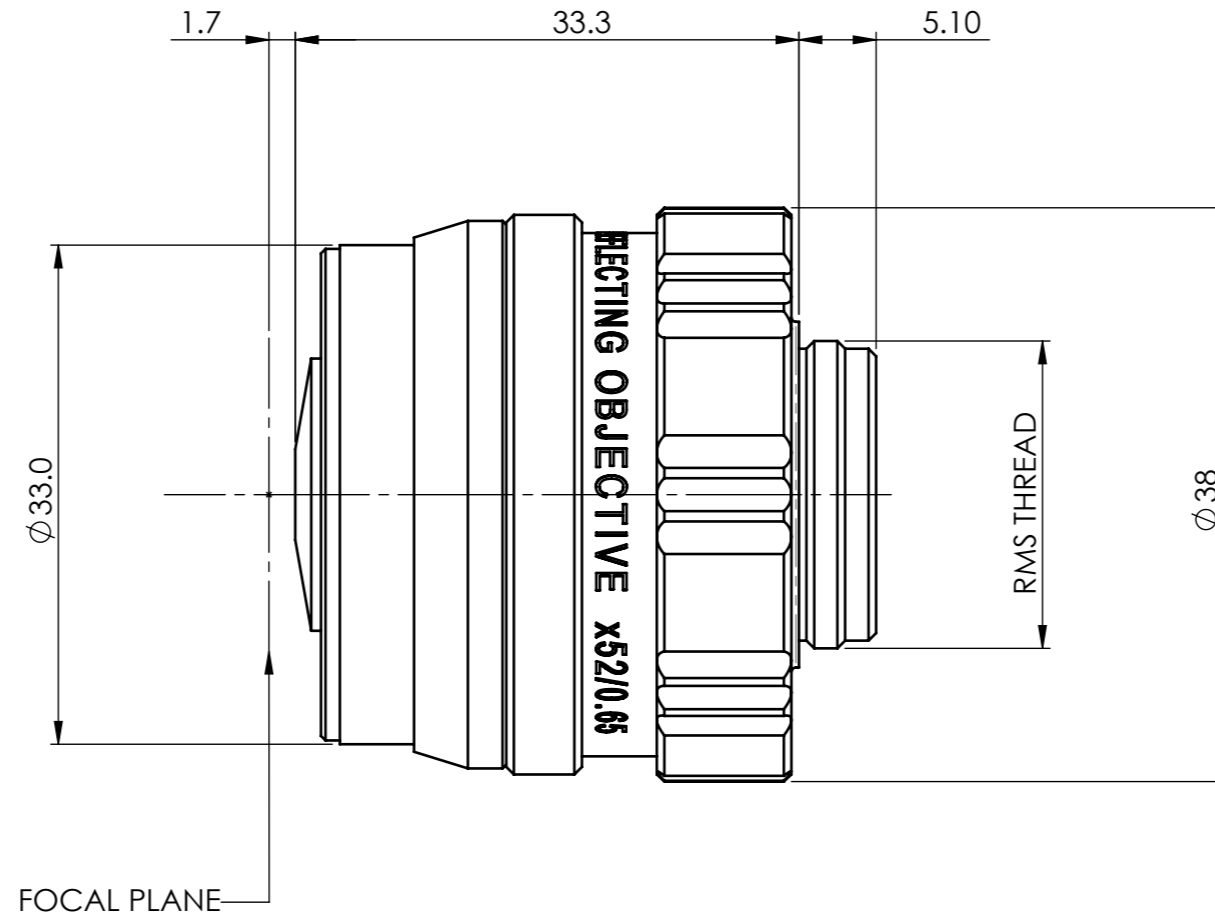


DO NOT SCALE DRAWING



DRAWN	23/12/14	1
REF.	DATE	REV

TOLERANCES:
 SURFACE FINISH 1.6µm Ra
 LINEAR:- 0 ±0.5
 0.0 ±0.3
 0.00 ±0.1
 ANGULAR:- 0° ±2° 0.0° ±0.25°
 UNLESS OTHERWISE SPECIFIED



Beck Optronic Solutions

DEBURR AND BREAK SHARP EDGES UNLESS OTHERWISE SPECIFIED

THE INFORMATION CONTAINED IN THIS DRAWING IS FURNISHED IN CONFIDENCE AND UPON THE CONDITION THAT IT IS NOT REPRODUCED OR TRANSMITTED TO ANY THIRD PARTY WITHOUT THE EXPRESS WRITTEN PERMISSION OF BECK OPTRONIC SOLUTIONS.

MATERIAL: -

FINISH: -

TITLE:
x52/0.65NA REFLECTING OG.

	NAME	SIG	DATE	USED ON
DRAWN	JRB		23/12/14	-
CHK'D	-		-	-
APPV'D	-		-	-

WEIGHT: -
 © BECK OPTRONIC SOLUTIONS

DWG NO. **D5006-ID-001** **A3**
 DIMENSIONS IN mm SHEET 1 OF 1 SCALE: 2:1

PRINTED 23 December 2014